
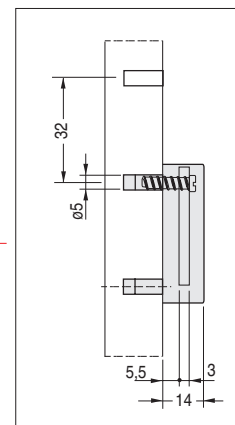
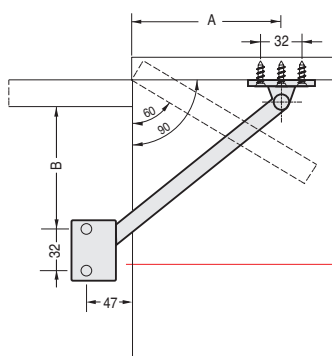



Movimenti per ante
Wing movements
Compases para muebles

Series 2050

Acciaio nichelato
Nickel-plated steel
Acero niquelado

	Nylon marrone Brown nylon Nylon marron	Nylon bianco White nylon Nylon blanco	Nylon nero Black nylon Nylon negro	
	Dx	Dx	Dx	
2050 mm 150	AT02050DMAR00	AT02050DBIA00	AT02050DNER00	25
2051 mm 200	AT02051DMAR00	AT02051DBIA00	AT02051DNER00	25
2052 mm 250	AT02052DMAR00	AT02052DBIA00	AT02052DNER00	25
	Sx	Sx	Sx	
2050 mm 150	AT02050SMAR00	AT02050SBIA00	AT02050SNER00	25
2051 mm 200	AT02051SMAR00	AT02051SBIA00	AT02051SNER00	25
2052 mm 250	AT02052SMAR00	AT02052SBIA00	AT02052SNER00	25



		A mm	B mm
Art. 2050 mm 150	60°	106	86
	90°	71	54
Art. 2051 mm 200	60°	150	150
	90°	110	86
Art. 2052 mm 250	60°	194	182
	90°	150	118

