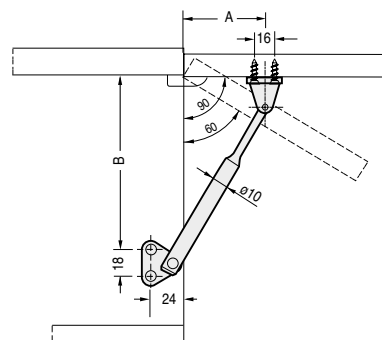


Movimenti per ante
Wing movements
Compases para muebles



			A mm	B mm
Art. 0506	mm 150	60°	85	155
		90°	50	120
Art. 506	mm 200	60°	115	235
		90°	70	190
Art. 507	mm 250	60°	150	300
		90°	85	245

0506
mm.150

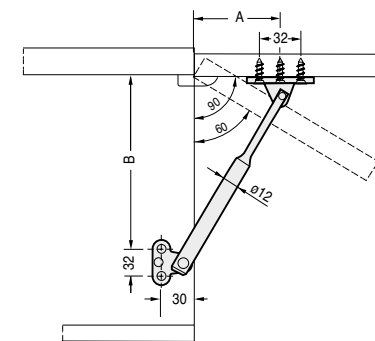
Cod.				
BT000506OTT15	Ottone	Brass	Latón	50
BT000506ONI15	Ottone nichelato	Nickel-plated brass	Latón niquelado	50
BT000506AZC15	Acciaio zincocromato	Zinc chromiumplated steel	Acero zincocromado	50
BT000506ABR15	Acciaio bronzato	Bronze-plated steel	Acero bronceado	50

506
mm.200

507
mm.250

Cod.				
BT000506OTT20 BT000507OTT25	Ottone	Brass	Latón	50
BT000506ONI20 BT000507ONI25	Ottone nichelato	Nickel-plated brass	Latón niquelado	50
BT000506AZC20 BT000507AZC25	Acciaio zincocromato	Zinc chromiumplated steel	Acero zincocromado	50
BT000506ABR20 BT000507ABR25	Acciaio bronzato	Bronze-plated steel	Acero bronceado	50

Movimenti per ante
Wing movements
Compases para muebles



	A mm	B mm
60°	130	280
90°	90	225

509
mm.250

Cod.				
BT000509OTT25	Ottone	Brass	Latón	25
BT000509ONI25	Ottone nichelato	Nickel-plated brass	Latón niquelado	25
BT000509AZC25	Acciaio zincocromato	Zinc chromiumplated steel	Acero zincocromado	25
BT000509ABR25	Acciaio bronzato	Bronze-plated steel	Acero bronceado	25