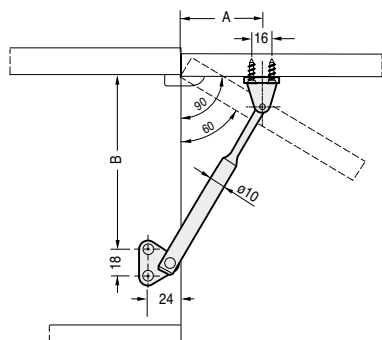


Movimenti per ante
Wing movements
Compases para muebles



			A mm	B mm
Art. 0506	mm 150	60°	85	155
		90°	50	120
Art. 506	mm 200	60°	115	235
		90°	70	190
Art. 507	mm 250	60°	150	300
		90°	85	245

Cod.



0506
mm.150

BT000506AZC15	Acciaio zincromato	Zinc chromiumplated steel	Acero zincromado	50
---------------	--------------------	---------------------------	------------------	----

Cod.



506
mm.200

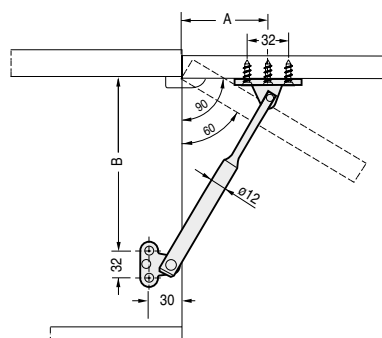
BT000506AZC20	Acciaio zincromato	Zinc chromiumplated steel	Acero zincromado	50
---------------	--------------------	---------------------------	------------------	----

Cod.



507
mm.250

BT000507AZC25	Acciaio zincromato	Zinc chromiumplated steel	Acero zincromado	50
---------------	--------------------	---------------------------	------------------	----



	A mm	B mm
60°	130	280
90°	90	225

Cod.



509
mm.250

BT000509AZC25	Acciaio zincromato	Zinc chromiumplated steel	Acero zincromado	25
---------------	--------------------	---------------------------	------------------	----

